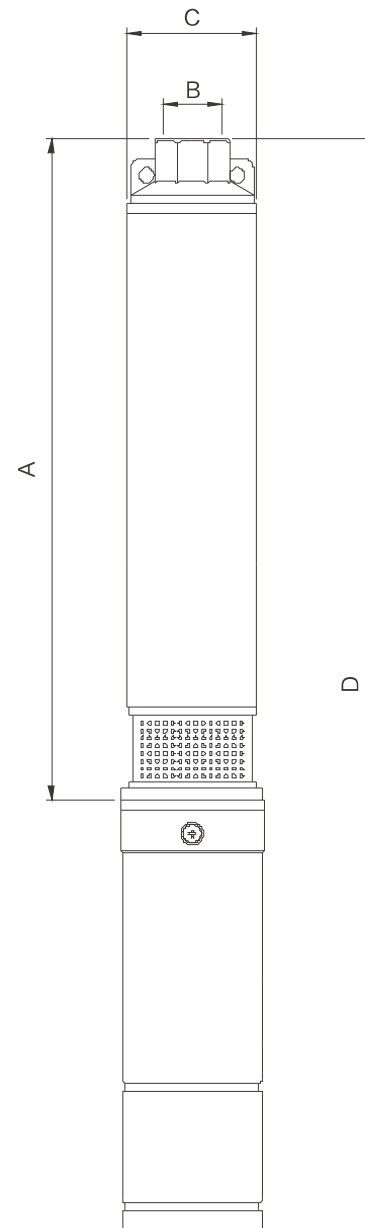
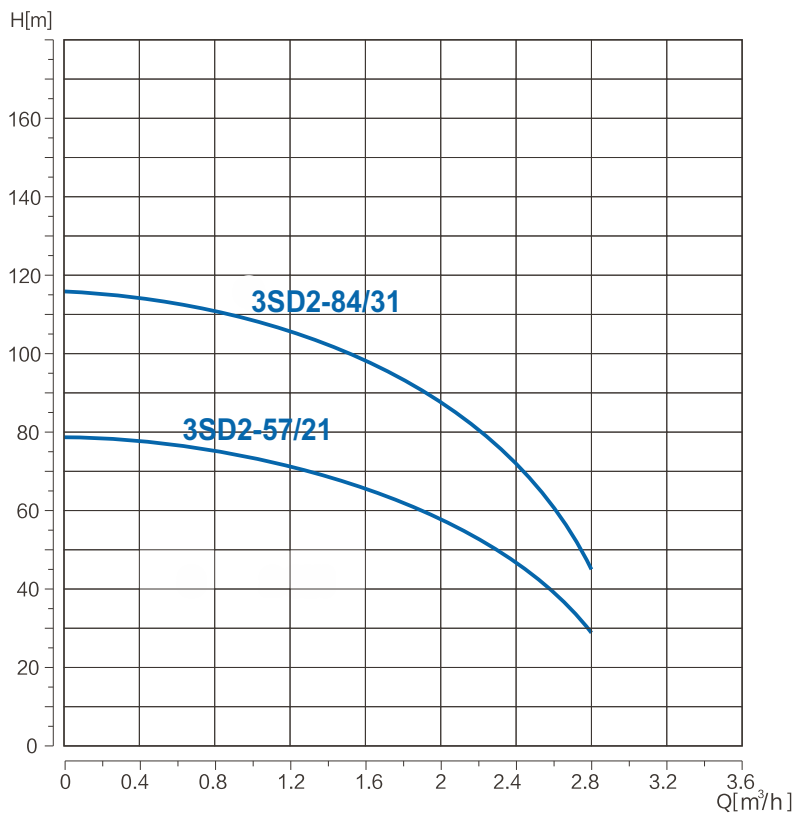


Modelis	Izmēri (mm)			
	A	B	C	D
3SD1-44/13	453	1"	78	773
3SD1-68/20	633	1"1/4	78	993

◆ ECO 3SD1 TEHNISKIE DATI

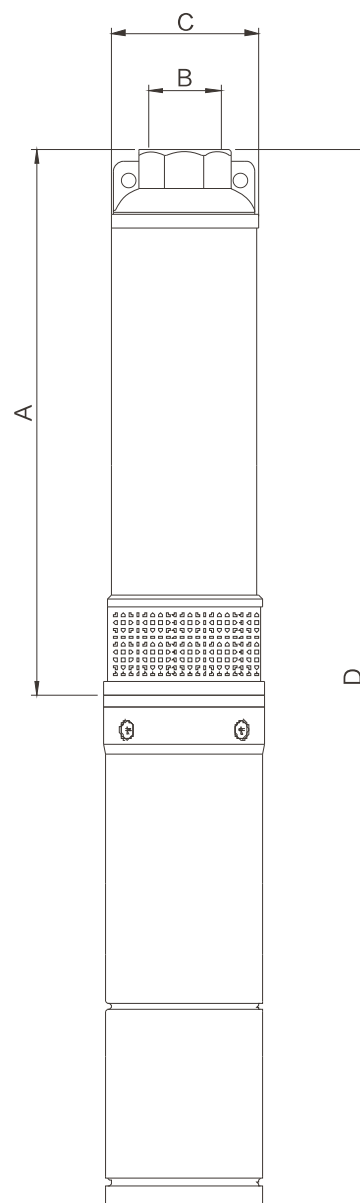
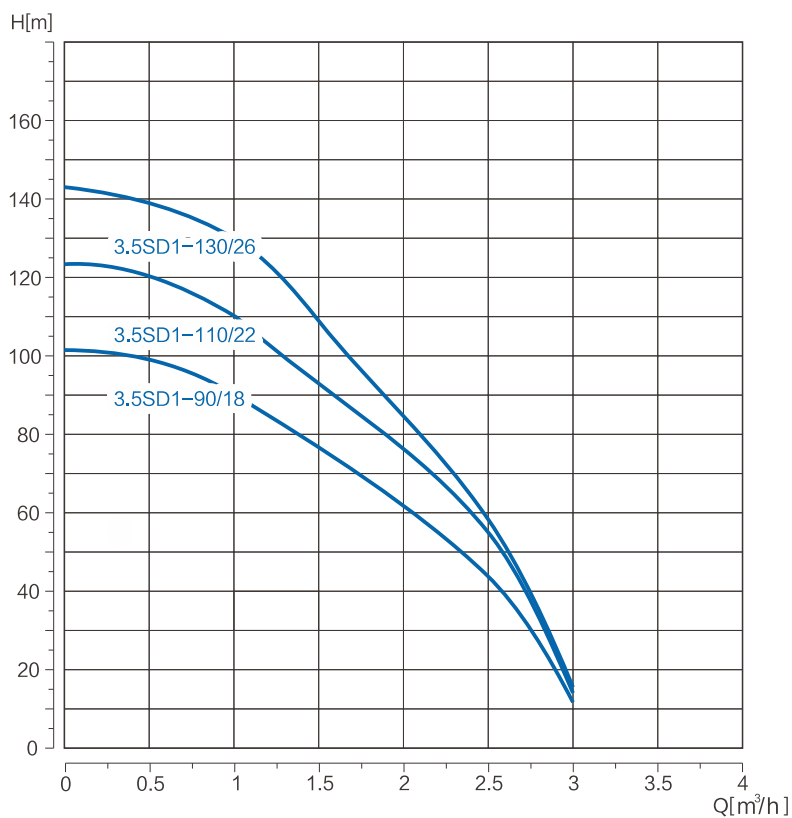
Modelis	Jauda		Izejas diametrs	Q $\frac{(m^3/h)}{L/min}$	0	0.6	0.8	1	1.2	1.4	1.6	1.8
	HP	KW			0	10	13.3	16.6	20	23	26.6	30
3SD1-44/13	0.5	0.37	1"	Dziļums (m)	51	47	46	44	42	39	34	30
3SD1-68/20	0.75	0.55	1"1/4		79	73	70	68	64	59	53	47



Modelis	Izmēri (mm)			
	A	B	C	D
3SD2-57/21	696	1"	78	1080
3SD2-84/31	966	1"1/4	78	1455

◆ ECO 3SD2 TEHNISKIE DATI

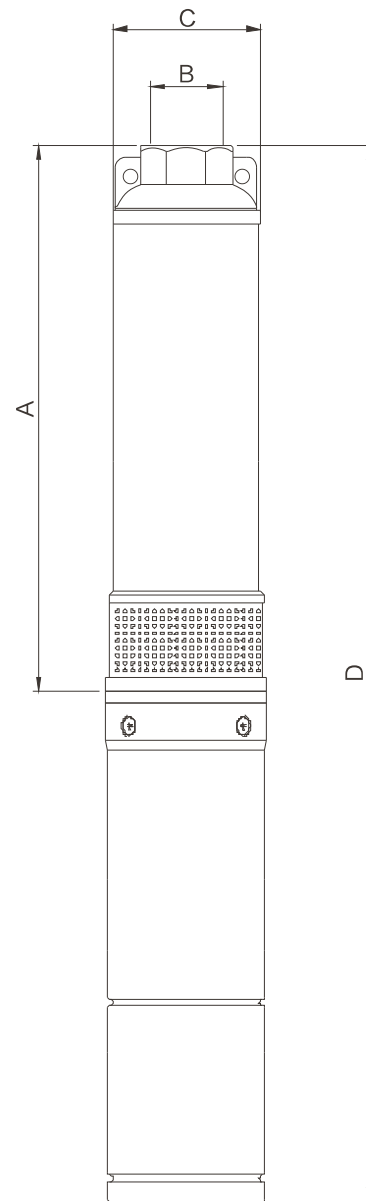
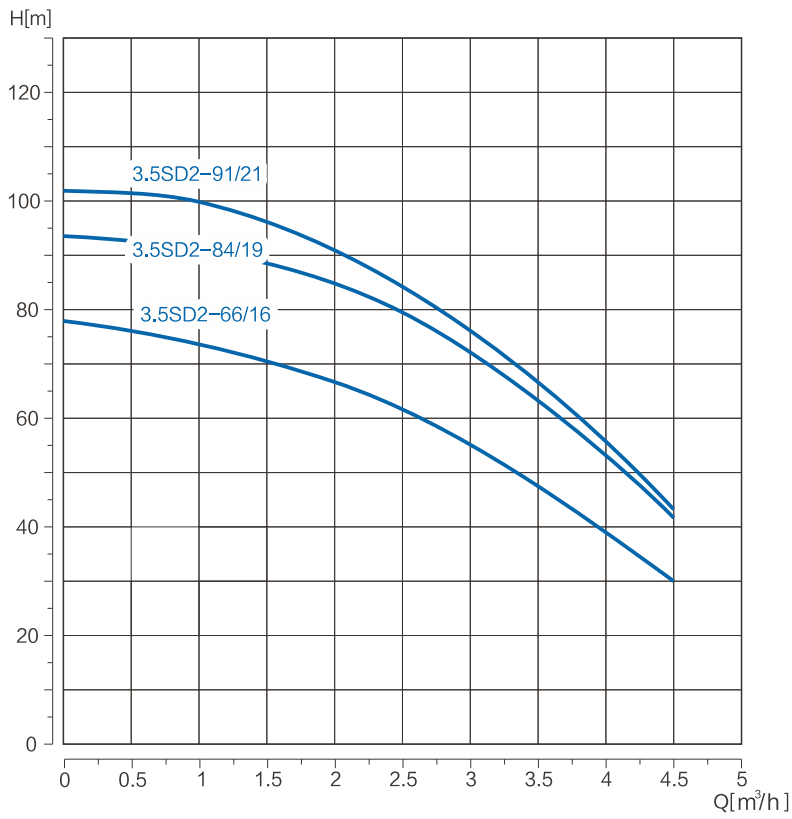
Modelis	Jauda		Izejas diametrs	Q $\frac{(m^3/h)}{L/min}$	0	0.4	0.8	1.2	1.6	2	2.4	2.8
	HP	KW			0	6.6	13.3	20	26.6	33.3	40	46.6
3SD2-57/21	1	0.75	1"	Dziļums (m)	79	76	75	72	67	57	42	29
3SD2-84/31	1.5	1.1	1"1/4		116	112	110	107	99	84	62	43



Modelis	Izmēri (mm)			
	A	B	C	D
3.5SD1-90/18	676	1"1/4	90	1063
3.5SD1-110/22	805		90	1212
3.5SD1-130/26	898		90	1330

◆ ECO 3.5SD1 TEHNISKIE DATI

Modelis	Jauda		Izejas diametrs	Q $\frac{(\text{m}^3/\text{h})}{\text{L}/\text{min}}$	0	0.5	0.75	1	1.5	2	2.5	3
	HP	KW			0	8	15	16	25	33	42	50
3.5SD1-90/18	1	0.75	1"1/4	Dzījums (m)	101	98	95	90	76	58	44	12
3.5SD1-110/22	1.5	1.1			123	120	116	110	92	70	55	14
3.5SD1-130/26	2	1.5			143	138	135	130	109	83	59	15



Modelis	Izmēri (mm)			
	A	B	C	D
3.5SD2-66/16	707	1"1/4	90	1094
3.5SD2-84/19	792		90	1224
3.5SD2-91/21	882		90	1349

◆ ECO 3.5SD2 TEHNISKIE DATI

Modelis	Jauda		Izejas diametrs	Q $\frac{(m^3/h)}{L/min}$	0	0.5	1	1.5	2	2.5	3	3.5	4	4.5
	HP	KW			0	8	16	25	33	42	50	58	66	75
3.5SD2-66/16	1	0.75	1"1/4	Dziļums (m)	78	76	75	71	66	62	55	48	39	30
3.5SD2-84/19	1.5	1.1			93	92	91	89	84	79	71	63	53	42
3.5SD2-91/21	2	1.5			102	101	100	96	91	85	77	68	56	43