

CONTROLLERS

CONTROLLER SERIES CRC110

ESBE series CRC110 is a combined actuator and a weather-compensating control unit with quick and simple installation. Settings are done by an easy-to-use joystick and display interface. For valves up to DN50, especially suited for ESBE valves series VRG and series VRB.

OPERATION

The ESBE series CRC110 is designed to provide a high level of comfort thanks to the possibility to set a perfect characteristic heating curve and at the same time provide energy savings for the house owner. The controller consist of two parts:

- actuator unit, to be mounted to the mixing valve controlling the heat supply.
- outdoor sensor, to be mounted on the north side of the building

The regulation is based on outdoor sensor feedback and an adjustable characteristic heating curve. An offset / parallel adjustment of the characteristic heating curve may be activated by an external signal for example night settings. For applications with well insulated building and quick heating systems such as radiator circuit can a temperature filter be activated to delay an outdoor temperature change to avoid an imbalance between estimated and actual heating demand.

CRC113 is available with auxiliary switch pump control based on valve position, including a pre-assembled external connection box for easy installation.

MOUNTING

Power supply by 230 V AC adapter (complete with transformer, cable and wall socket plug).

Flow pipe sensor with 1.5m cable included (longer cable available as accessory). The sensor must be carefully insulated from ambient temperature.

Outdoor sensor with 20 m cable. The sensor shall be mounted on the north side of the building under the eaves in order to protect the sensor from direct sunlight and rain.

The CRC110 is easily mounted to the ESBE 3- and 4-way valves series G, MG, F, BIV, T, TM, H and HG, and with the valves of series VRG and VRB offer even more outstanding regulation accuracy and even simpler mounting.

OPTIONAL EQUIPMENT

ARA801 Auxiliary switch kit _____ Art. No. 1620 07 00
CRA911 Flow pipe sensor, 5m cable ____ Art. No. 1705 31 00
CRB915 GSM-module _____ Art. No. 1705 59 00



CRC111/CRC115
230 VAC



CRC113
Pump control

SUITABLE MIXING VALVES

The controller is supplied complete with an adaptor kit for easy fitting onto an ESBE rotary mixing valve.

- Series VRG100
 - Series VRG200
 - Series VRG300
 - Series VRH100
 - Series VRB100
 - Series MG*
 - Series G
 - Series F ≤ DN50
 - Series BIV
 - Series T and TM
 - Series H and HG
- * Not 5MG

ADAPTOR KITS

Required adaptor kits for easily fitting onto an ESBE rotary mixing valve is supplied with each actuator. Adaptor kits can also be ordered separately.

Art. No.

1600 05 00 (= supplied with actuator)

ESBE valve series VRG, VRB, G, MG, F, BIV, T, TM, H, HG

Adaptor kits for other mixing valves are available as follows:

Art. No.

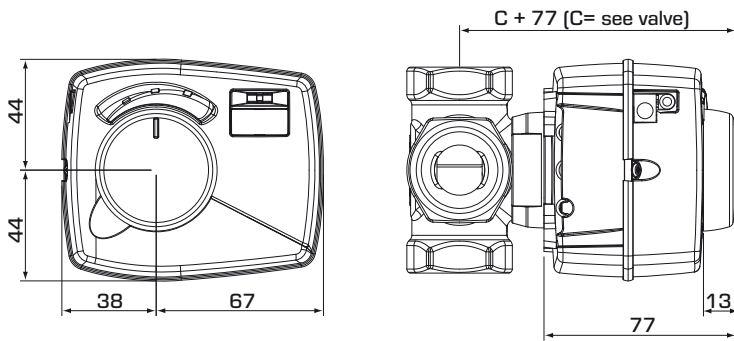
1600 06 00 _____ Meibes
1600 07 00 _____ Watts
1600 08 00 _____ Honeywell Corona
1600 09 00 _____ Lovato
1600 10 00 _____ PAW

TECHNICAL DATA

Ambient temperature: _____ max. +55°C
_____ min. -5°C
Temperature range,
Flow pipe sensor: _____ +5 to +95°C
Outdoor sensor: _____ -50 to +70°C
Enclosure rating: _____ IP41
Protection class: _____ II
Power supply: _____ 230 ± 10% V AC, 50 Hz
Power consumption - 230 V AC: _____ 10 VA
Torque: _____ 6 Nm
Running time at max. speed: _____ 30s
Weight: _____ 0.9 kg

CE LVD 2006/95/EC
EMC 2004/108/EC
RoHS 2011/65/EC

CONTROLLER SERIES CRC110



Installation dimensions for Controller Series
CRC110 with ESBE VRG100, VRG200,
VRG300 and VRB100 mixing valves

SERIES CRC110

Art. No.	Reference	Voltage [V AC]	Torque [Nm]	Note
1282 01 00	CRC111	230	6	
1282 03 00	CRC113			With pump control wire box
1282 05 00	CRC115			Transformer with UK plug

INSTALLATION EXAMPLES

