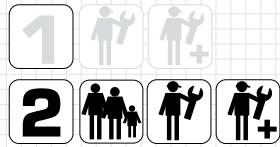




www.esbe.se



SERIES CRA110

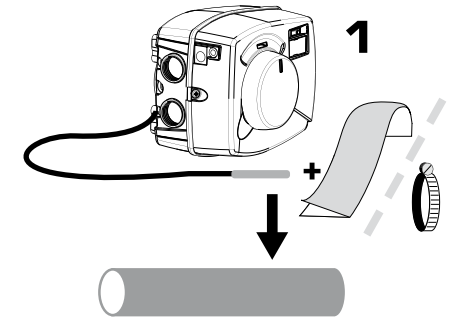
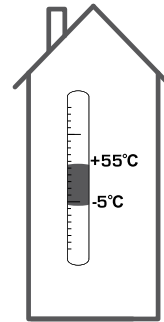


NO.1 IN HYDRONIC SYSTEM CONTROL

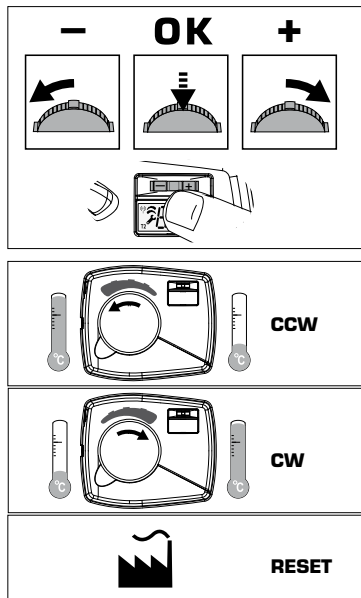


Series CRA111
Series CRA112

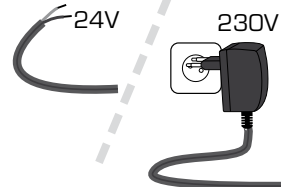
CE
LVD 2006/95/EC
EMC 2004/108/EC
RoHS 2002/95/EEC



Mtrl.nr. 9814 03 90 • Ritn.nr. 9210 utg. A • Rev. 1006



1

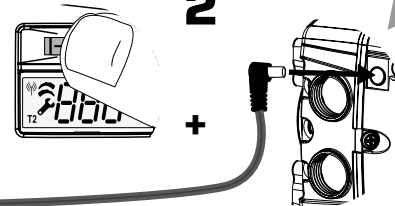


=

=

=

2



+

+

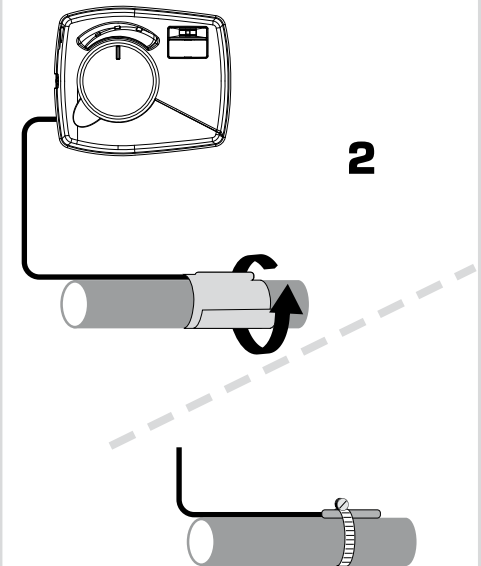
+

24V / 230V

24V / 230V

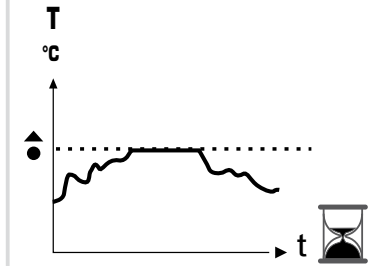
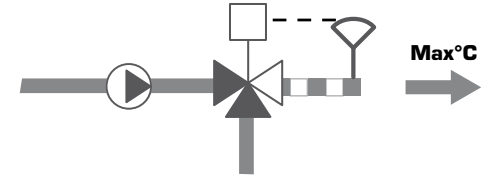
24V / 230V

2

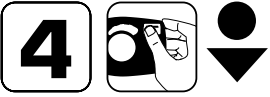
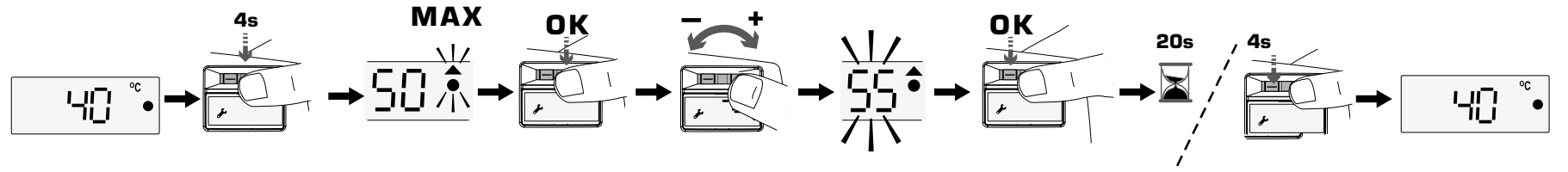




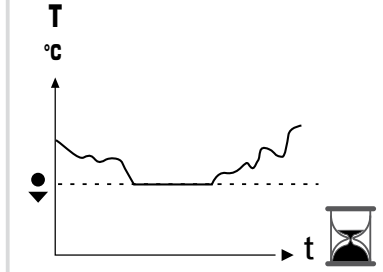
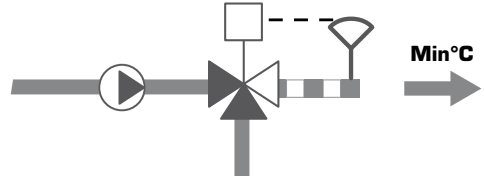
▲ = MAX



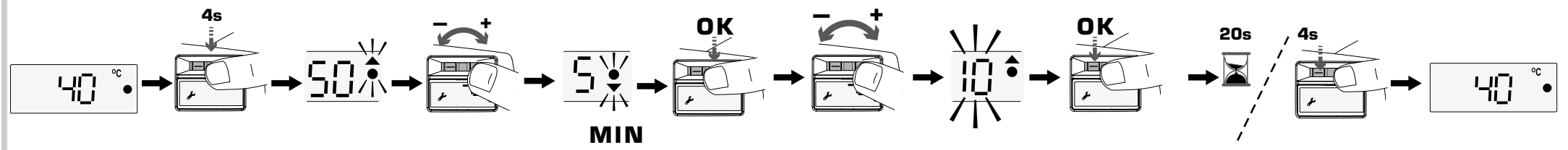
	50 °C
	~40 - 50 °C
	~60 - 80 °C
	60 °C



▼ = MIN



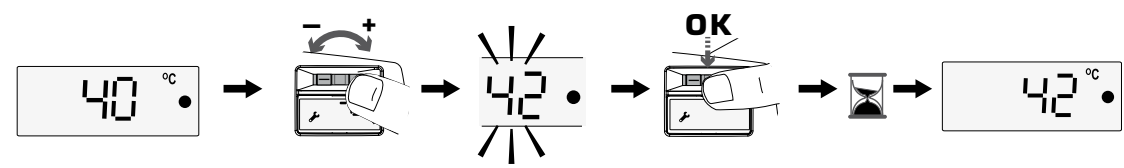
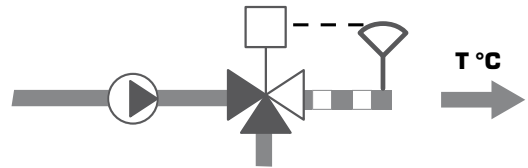
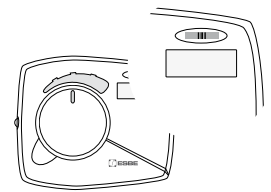
	5 °C
	~5 - 25 °C
	~5 - 25 °C
	~5 - 25 °C



5



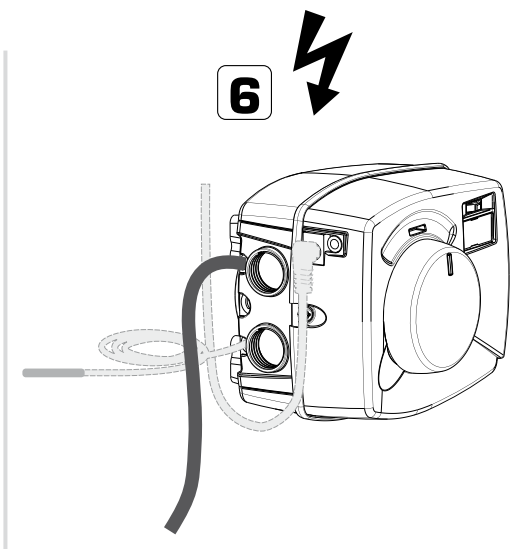
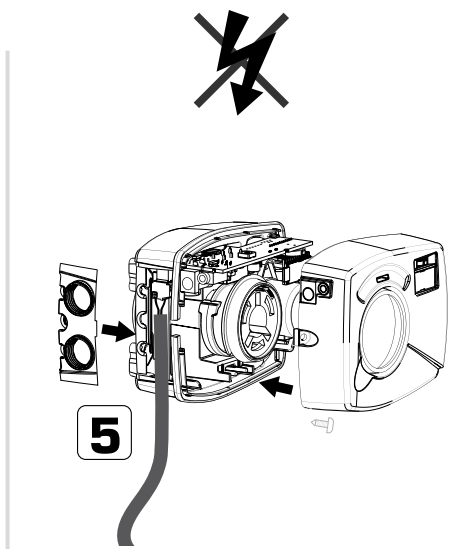
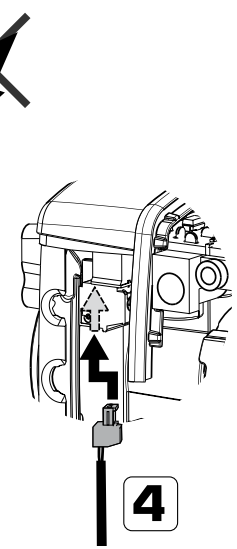
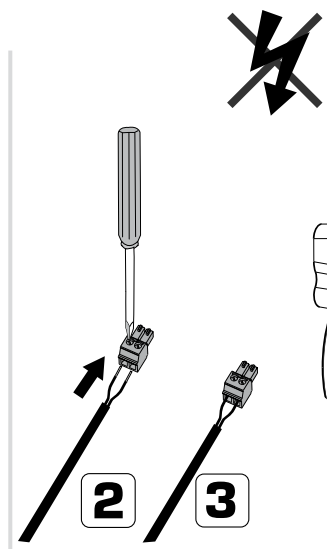
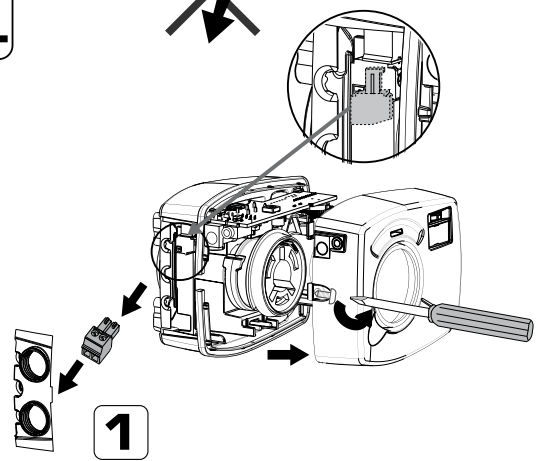
T



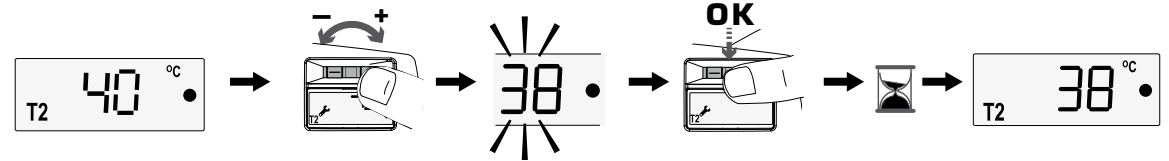
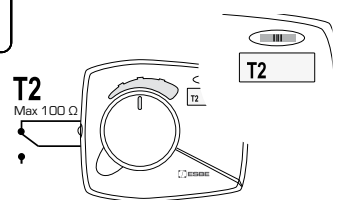
6



T2



i



T

i

